

ELMO

High-Resolution Visual Presenter

HV-5100XG

**NEW
PRODUCT**



ELMO
Visualizing technology since 1921

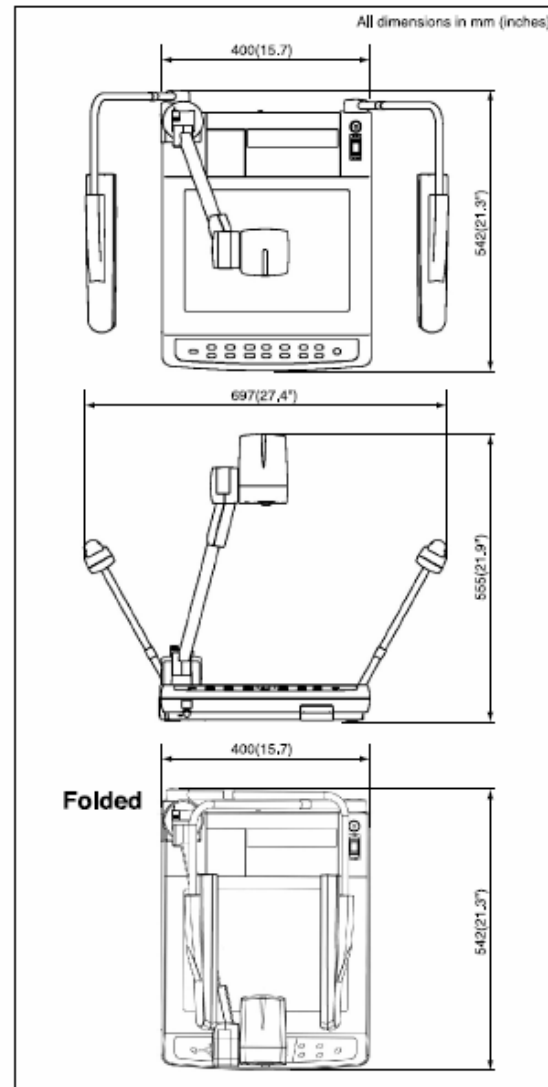
High-Resolution Visual Presenter HV-5100XG

SPECIFICATIONS

Camera	Image pick-up device	1/3" progressive scan CCD	
	Effective pixels	1034(H)x779(V)	
	Frame rate	20fps	
	Resolution (TV lines)		
	RGB output (HxV)	600(H)x600(V)	
	Video output (H)	400 (H)	
Optics	Zooming	18x(Powered)	
	Lens	F[2,8] f=4,7-84,6mm	
	Shooting area	Max.	350x260mm(13,7x10,2")
		Min.	25x19mm(1.0x0.8")
	Focusing	Auto / Manual (Powered)	
Iris	Auto (with level adjustment) / Manual		
Function	White balance	Full-auto / One-push / Manual	
	Nega/Posi conversion	●	
	Color/B&W selection	●	
	Aperture enhancement	●	
	Freeze(Pause) mode	●	
	Electronic magnification	● (x2)	
	Gamma adjustment	●	
	OSD(on screen display)	●	
	Image rotation	●	
	Video pointer	●	
	Down converter	●	
	Image memory	● (x8)	
	Scrolling	●	
	Input / Output	Input selection	Int./RGB1/RGB2
Analog RGB output		XGA(1024x768, @60Hz)	
Video output		NTSC, PAL, Composite, S-video	
RGB input		● x2	
DC 12V output		●	
Mouse		●	
Output terminal : Analog RGB		Mini DSUB 15Pin connector	
		Composite-video	RCA Pin jack
		S-video	Mini DIN 4Pin connector
PC interface		RS232-C	●
	USB	●	
Lighting	Upper Lighting unit	● (6W fluorescent lamps x2)	
	Baselight	●	
Others	Carrying handle	●	
	Wireless Remote Control	●	
	Dimensions when Set-up	697(W)x542(D)x555(H)	
		(27,4x21,3x21,9 in)	
	Folded	400(W)x542(D)x181(H)	
		(15,8x21,3x7,1in)	
	Mass/Weight	9,8kg (21.6lbs)	
	Power source	AC100-240V , 50/60Hz	
Rated current	0,8A-0,4A		

NOTE: Design and specifications are subject to change without prior notice.
Dimensions and weight are approximate.

PROFILE



ELMO CO., LTD.(Head Office and Factory)'s QMS/EMS has been registered to ISO 9001 & ISO 14001.

ELMO® ELMO CO., LTD. 6-14, Meizen-cho, Mizuho-ku,
Nagoya, 467-8567 Japan
E-mail:foreign-div@elmo.co.jp

Additional technical information is available from any of the following subsidiary companies;

ELMO Mfg. Corp.
1478 Old Country Road,
Plainview, NY 11803-6034, U.S.A.
Tel. 516-501-1400 Fax. 516-501-0429
E-mail:elmo@elmousa.com
Web:http://www.elmousa.com

ELMO (Europe) G.m.b.H.
Neanderstr. 18,
40233 Düsseldorf, Germany
Tel. 0211-378051-53 Fax.0211-378630
E-mail:elmo@elmo.eu.com
Web:http://www.elmo.de

ELMO Canada Mfg. Corp.
44 West Drive, Brampton,
Ontario, L6T 3T6, Canada
Tel. 905-453-7880 Fax.905-453-2391
E-mail:info@elmocanada.com
Web:http://www.elmocanada.com

Visual Techniques, Inc.
2200 Jahan Trail
Longview, Texas 75604
www.visualtechniques.com

Distributed by

800-777-1798 (tollfree)
903-297-4642 (local)
903-297-0711 (fax)
jimmy@visualtechniques.com