



**SUGGESTED SPECIFICATIONS:** \_\_\_\_\_ projection screens, \_\_\_\_\_ (H) x \_\_\_\_\_ (W), wall or ceiling mounting type. To have an octagon white painted steel case with flat back design with baked enamel finish and fitted with heavy duty plastic end caps with nylon bearing surface to support roller. End caps to have brackets for wall mounting by means of slotted screw holes and ceiling mounting by means of powder coated D rings. To have Matte White surface on flame retardant and mildew resistant fabric. Top of fabric shall be mounted into a metal strip in a metal Camlok® roller system without tape, glue, staples or cords so that fabric may be easily replaced, yet cannot be pulled accidentally from roller. Bottom of fabric shall be mounted into a metal strip in a tubular steel slat finished in baked enamel. Ends of slat shall be protected by plastic outer caps. Plated steel slat pull shall be attached to slat with screws. A 36" pull cord with plastic knob is included.

**All surfaces will be seamless.**

**DIMENSIONS**

Sizes		A - Overall Length of Case		B - Between Hanger Eyes		Approx. Ship. Wt.	
H x W	Cm	In.	Cm	In.	Cm	Lbs.	Kg
50" x 50"	127 x 127	53 <sup>3</sup> / <sub>8</sub> "	136	52 <sup>5</sup> / <sub>8</sub> "	134	10	4.5
60" x 60"	152 x 152	63 <sup>3</sup> / <sub>8</sub> "	161	62 <sup>5</sup> / <sub>8</sub> "	159	13	5.9
70" x 70"	178 x 178	73 <sup>3</sup> / <sub>8</sub> "	186	72 <sup>5</sup> / <sub>8</sub> "	189	15	6.8

Overall case length dimensions ±1/4".  
Specifications subject to change without notice.

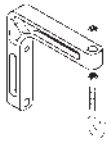
**PLEASE MARK APPROPRIATE SELECTIONS:**

**Optional Accessories:**

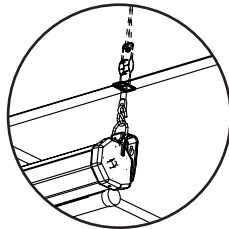
- No. 6 Wall Bracket – extends 6" (15 Cm).
- No. 11 Wall Bracket – extends 10" (25 Cm) or 14" (36 Cm).
- No. 23 Adjustable Wall Bracket – extends 18<sup>1</sup>/<sub>4</sub>" (46 Cm), 20" (51 Cm) or 24" (61 Cm).
- T-Bar Clip – for drop ceilings (black or white).
- Tilt Lock – keystone eliminator.
- Pull Rod.

**OPTIONAL ACCESSORIES**

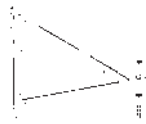
**EXTENSION WALL BRACKETS**



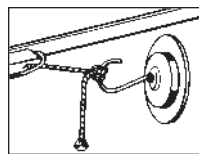
**No. 6 WALL BRACKET**  
Screen can be extended 6" (15 Cm) from wall.



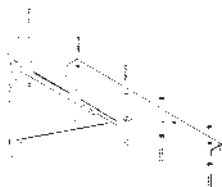
**T-BAR CLIP** for drop ceiling.  
50 lb. (22.68 Kg) capacity.



**No. 11 WALL BRACKET**  
Screen can be extended 10" (25 Cm) or 14" (36 Cm) from wall by changing position of bracket.



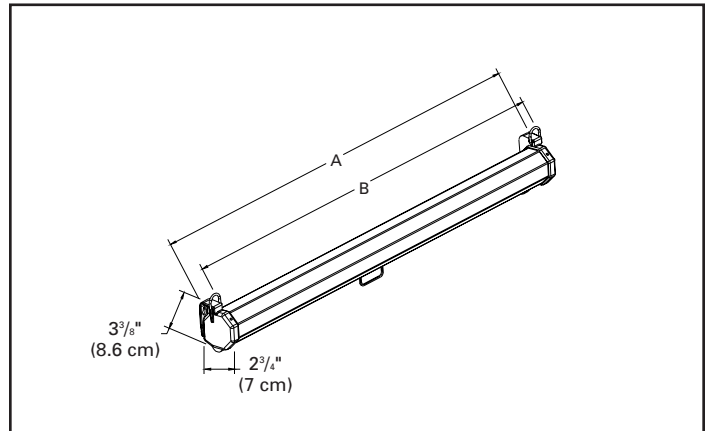
**TILT LOCK** for Keystone elimination. Used with extension brackets or T-Bar Clips.



**No. 23 WALL ADJUSTABLE BRACKET**  
Screen can be extended 18<sup>1</sup>/<sub>4</sub>" (46 Cm), 20" (51 Cm) or 24" (61 Cm) from wall by wing nut and bolt adjustment.



**PULL ROD**  
Plated steel rod with black plastic handle grip allows easy access to screen when mounted out of reach. Also can be used as a pointer.



Project: \_\_\_\_\_

Architect: \_\_\_\_\_

Phone: \_\_\_\_\_

Contractor: \_\_\_\_\_

Phone: \_\_\_\_\_

Supervisor: \_\_\_\_\_

Phone: \_\_\_\_\_

Date: \_\_\_\_\_

Revised: \_\_\_\_\_