

ELMO

P10 Visual Presenter

Set the stage for exceptional presentations



The P10 offers both exceptional image quality and flexibility for a variety of documents and media.

Progressive scanning with a free-angle camera arm and detailed 48X zoom ensures crystal-clear imagery and captures moving objects at impressive frame rates. Several video output options let you connect to almost any monitor. Combined with built-in SD Memory Card support and a lightweight, compact design, the P10 is the ultimate in versatility and quality.



85,000-Pixel CCD



48X Zoom



20 fps

Frame Rate



Free Angle

Camera Arm & Lamp



SD Memory Card-Ready



Split Display



6 User Settings



A3 Size

Scanning Area



104 lb

Weight



Application Software (Optional)

P10 Specifications

Model	P10	
Camera	Image pickup device	1/3" progressive scan CCD
	Total pixels	1,077 (H) x 788 (V), 850,000 pixels
	Effective pixels	1,034 (H) x 779 (V)
	Frame rate	20 fps
	Resolution	600 (H) x 600 (V) TV lines
	RGB output	450 (H) TV lines
	Video output	450 (H) TV lines
Optics	Zoom	Powered (with variable speed function), 12X optical, 4X digital
	Lens	F2.8, f=4.7 to 56.4 mm
	Shooting area	Max. 405 x 303 mm (1 15/16" x 11 15/16"), min. 36.5 x 28 mm (1 7/16" x 1 3/32")
	Focus	Auto/Manual (powered)
	Iris	Auto (with level adjustment)/Manual
Functions	White balance	Full-auto/One-push/Manual
	Negative/positive conversion	Provided
	Aperture enhancement	Provided
	Test mode	Provided
	Edge enhancement	Provided
	Color/B&W selection	Provided
	Pause mode	Provided
	Gamma adjustment	Provided
	OSD (on-screen display)	Provided
	Split display	Provided (SD Memory Card image, 9-split, 16-split)
	Image save	Provided (onto SD Memory Card)
	Image rotation	Provided (0°, 180°)
	State presetting	Up to 6 user settings
	Sync. system	Internal
	Input/output	Internal selection
Analog RGB output		XGA (1,024 x 768 @60 Hz), VESA
Video output		Composite, S-video
RGB input		Provided
DVI output		Provided
PC interface	RS-232C port	Provided
	USB port	Provided
Memory card	SD Memory Card slot	Provided
Lighting	Upper lighting unit	Provided (twin fluorescent lamp)
Others	Supplied accessories	V/R remote control, AC adapter, cables, etc.
	Dimensions	Set up 377 x 482 x 582 mm (14 27/32" x 18 31/32" x 22 29/32") Folded 377 x 482 x 180 mm (14 27/32" x 18 31/32" x 7 3/32")
	Weight	4.7 kg (10.4 lbs)
	Application software (option)	Image Mate for Presentation, Image Mate for Movie Creation, TWAIN driver [for Windows® 2000 (SP4 or later), Windows® XP (SP2 or later)]
	Power source	AC 100 to 240V, 50/60 Hz

H: horizontal, V: vertical

Rear panel

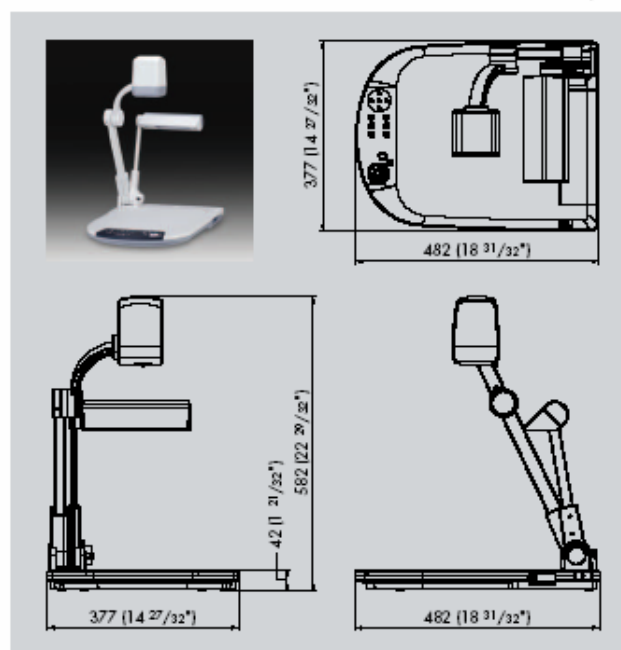


Design and specifications are subject to change without prior notice.

ELMO is a trademark of ELMO COMPANY, LIMITED.
SD logo is a trademark. Other brand names and product names may be trademarks or registered trademarks of their respective owners.

Profile

All dimensions in mm (inches)



Optional Accessories



5-inch color LCD monitor
M-5011N
Monitor shoe
MS-30

Image Mate software for creating outstanding PC presentations



Annotate your presentation right from a PC

Split Screen lets you compare live video to stored images

Save video files to a PC



ELMO CO., LTD.(Head Office and Factory)'s OMS/EMS has been registered to ISO 9001:2000 & ISO 14001:2004.

ELMO
FOCUS ON THE FUTURE

ELMO CO., LTD.

Distributed by

6-14, Meizen-cho, Mizuho-ku,
Nagoya, 467-8567, Japan
Tel, 81-52-821-3141 Fax, 81-52-811-5243
E-mail: foreign-div@elmo.co.jp

Additional technical information is available from any of the following subsidiary companies:

ELMO USA Corp.
1478 Old Country Road
Plainview, NY 11803-5034, U.S.A.
Tel, 516-901-1400 Fax, 516-501-0429
E-mail: elmo@elmousa.com
Web: http://www.elmousa.com

ELMO Canada Corp.
44 West Drive, Brampton,
Ontario, L6T 3T6, Canada
Tel, 905-453-7880 Fax, 905-453-2391
E-mail: info@elmocanada.com
Web: http://www.elmocanada.com

ELMO (Europe) G.m.b.H.
Neanderstr. 18,
40233 Düsseldorf, Germany
Tel, 0211-3864-70 Fax, 0211-376630
E-mail: info@elmoeurope.com
Web: http://www.elmoeurope.com

Visual Techniques, Inc.
2200 Jahan Trail
Longview, Texas 75604
www.visualtechniques.com

800-777-1798 (tollfree)
903-297-4642 (local)
903-297-0711 (fax)
jimmy@visualtechniques.com